

Two-stage lifting column - *RKSlimlift* / *EM*

Rod-shaped design and extremely quiet operation



4 fixing threads
✓ Simple connection

Drive above the internal profile
✓ Large assembly surface
✓ Supports variable stroke lengths (optional)

Integrated drive
✓ Slim design

Attractive design
✓ Slender rod shape in the design versions Eclipse and Basic

Features:

General

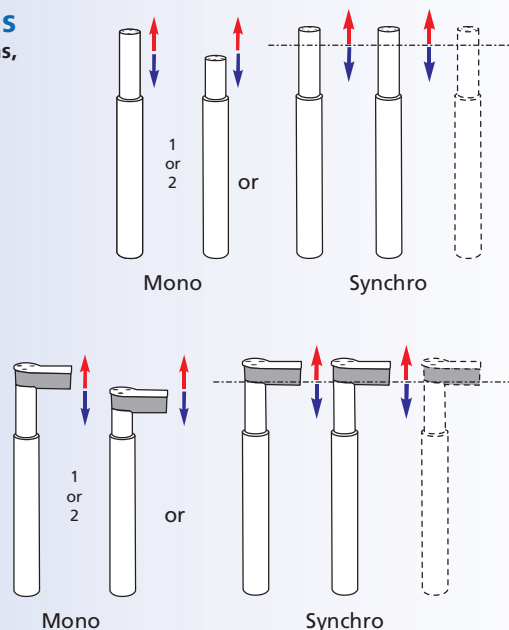
- Excellent installation height/stroke length ratio
- Self-locking, even at max. load
- Fixing slots in external profile

Options:

- Version with manual drive via crank handle
- Further stroke lengths available on request
- Quadro control enables control of up to 32 columns synchron

Table of contents - *RK Slimlift*

Properties/Technical data	<ul style="list-style-type: none"> ■ General information/operating conditions..... Page 48
----------------------------------	---

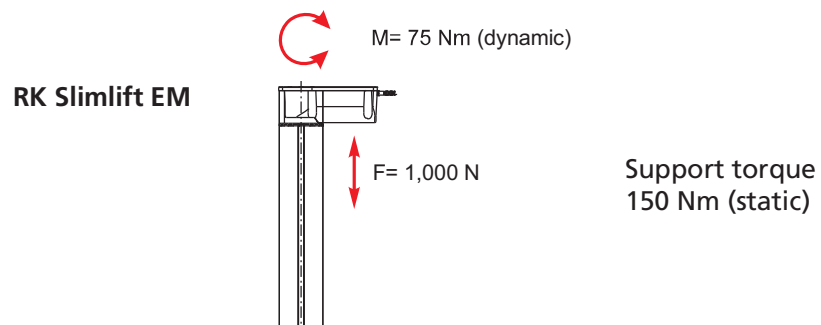
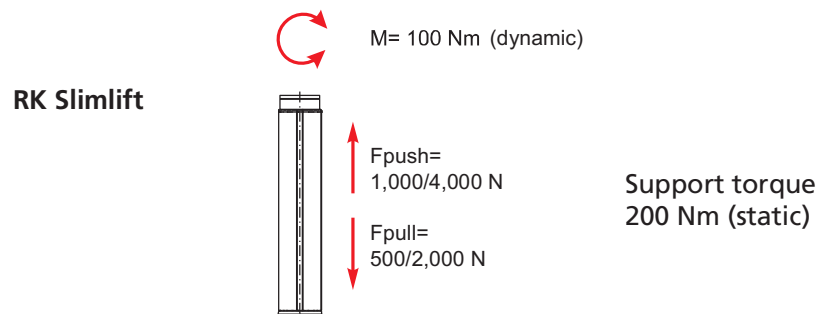
<p>Versions (dimensions, order no.)</p> 	<ul style="list-style-type: none"> ■ <i>RK Slimlift</i> Page 50 ■ <i>RK Slimlift EM</i> Page 51
---	---

Accessories	<ul style="list-style-type: none"> ■ Levelling foot for RK Slimlift EM Page 52 ■ Foot..... Page 52 ■ Square nut Page 53 ■ Profile adaptor Page 53
Fixing	
Position determination	<ul style="list-style-type: none"> ■ Controls Page 56 ■ PLC/PC data interface..... Page 57 ■ Hand switches Page 57

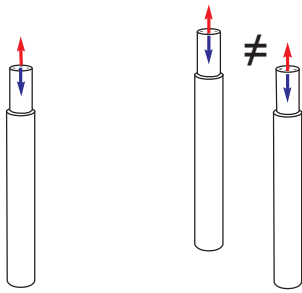
General information / operating conditions

Design	Rod-shaped lifting column, optionally available with external drive motor (<i>RK Slimlift EM</i>)
Guide	Preset sliding elements made of plastic
Installation position	Any position/suspended with drop protection provided by the customer
Push force	Choice of 1,000 N/4,000 N
Pull force	Choice of 500 N/1,000 N/2,000 N
Voltage	36 V DC
Power input	144 W = Slimlift / 108 W = Slimlift EM
Protection class	IP 30
Self-locking	Yes
Ambient temperature	+5°C to +40°C
Max. displacement with synchronous operation	0-3 mm/0-1.5 mm
Duty cycle	At nominal load, 15% (max. 1.5 mins operating time, 8.5 mins rest time)

Load data



Slimlift Mono

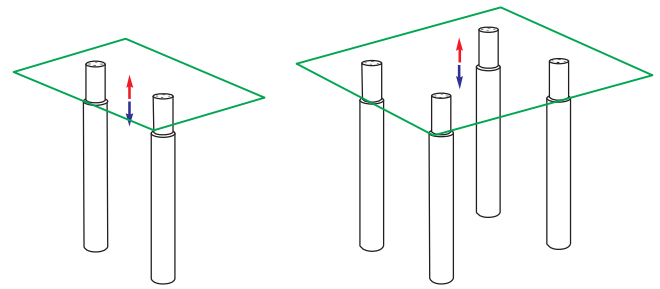


1-2 Slimlifts in single or parallel operation

Parallel operation

The standard version also supports parallel operation of two Slimlifts (no synchronisation). This may produce different lifting positions during operation, which can be levelled out by moving to the end positions.

Slimlift Synchro



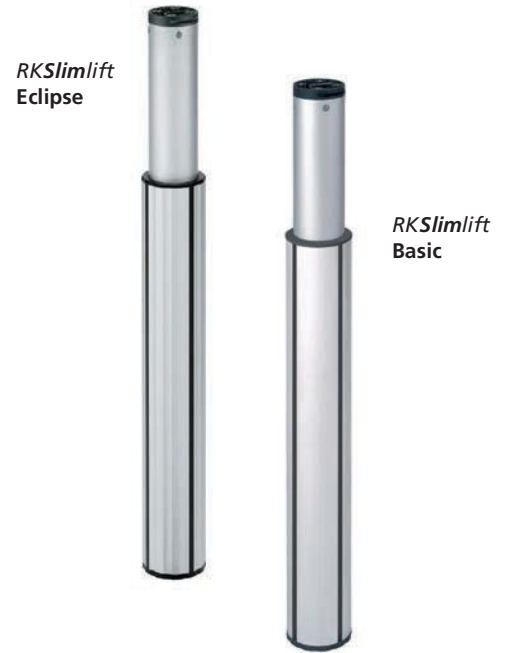
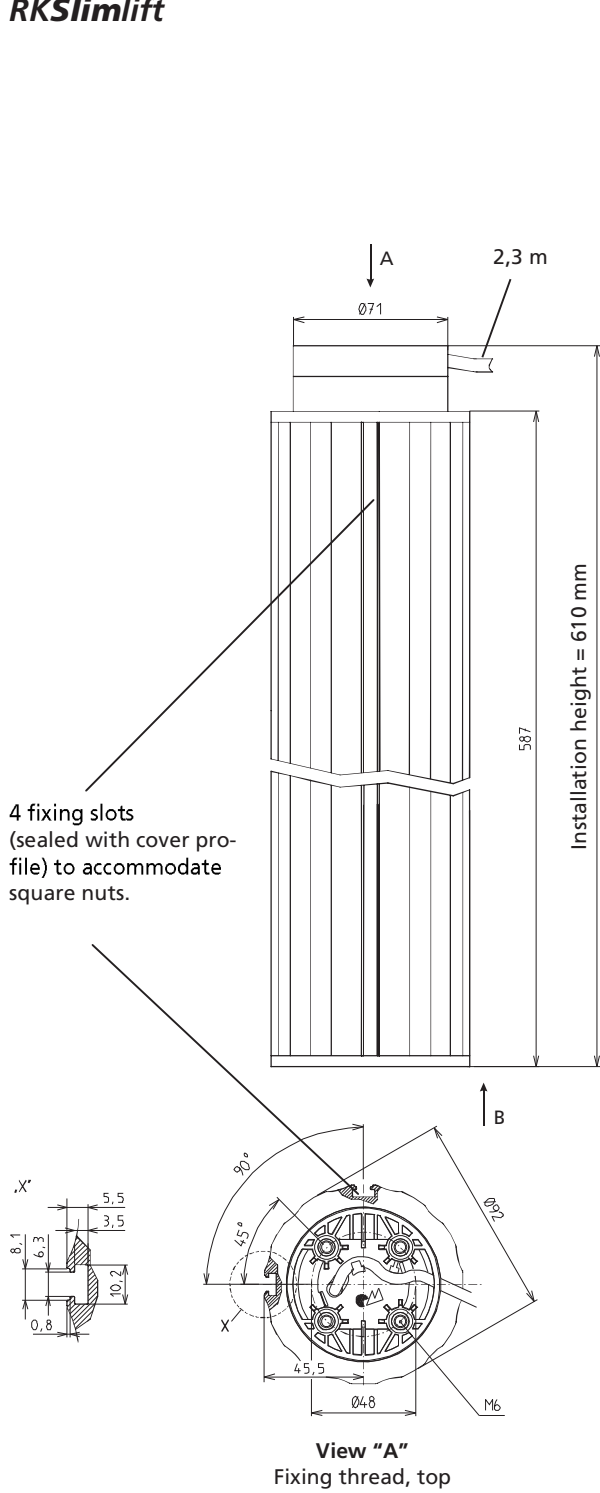
2-4 Slimlifts in synchronous operation

Synchronous operation

Synchronous operation of two or more columns. In conjunction with the integrated sensors, the control (see page 146) ensures synchronisation, and thus constant alignment of all the columns in both directions of travel, even if subject to different loads. The synchronous operation tolerance depends on the lifting speed and is max. 1.5 mm for the 8 mm/s version and max. 3 mm for the 25/32 mm version. A memory function is also available.

RKSlimlift – Versions

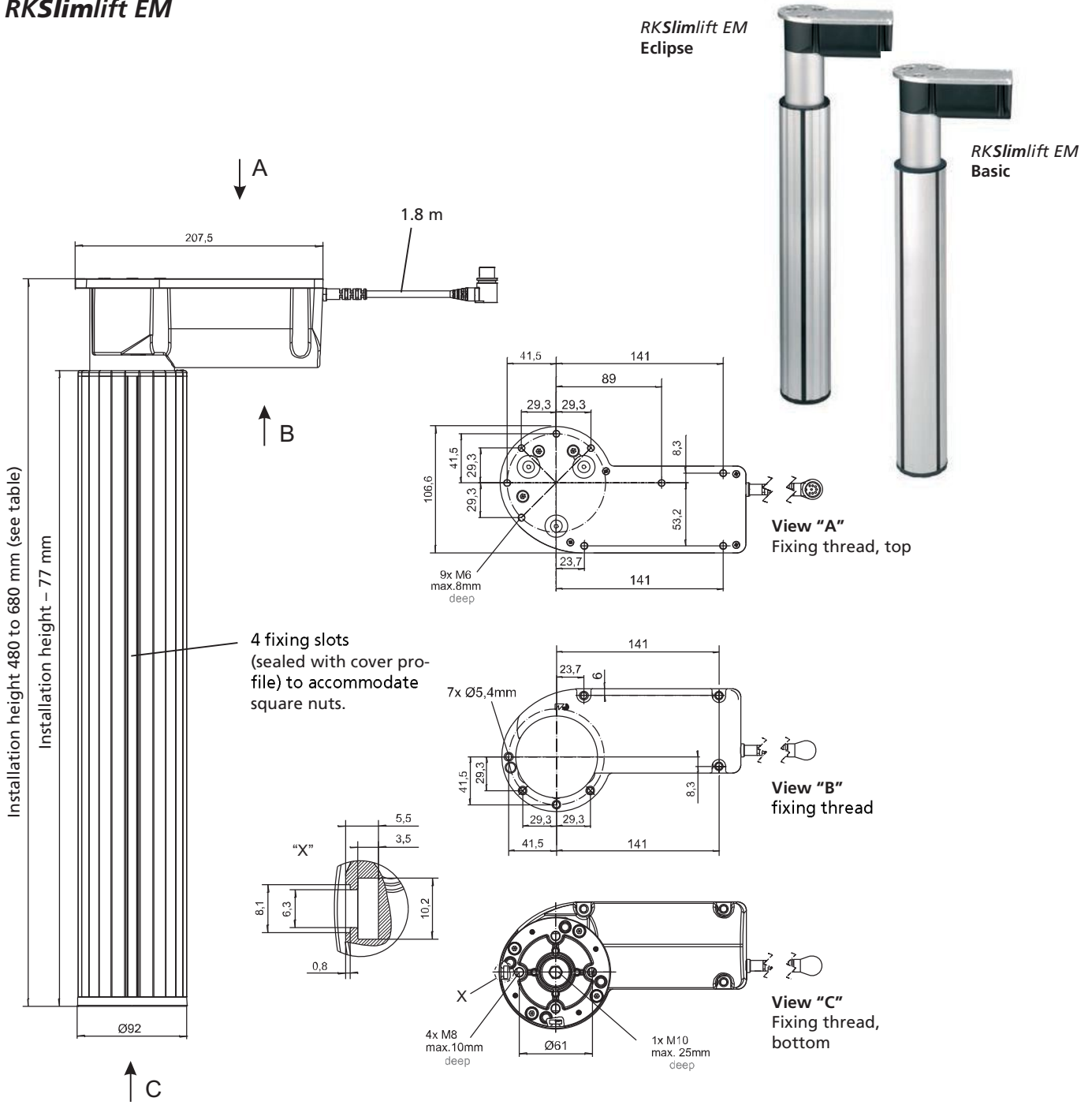
RKSlimlift



Mono and synchro

Code No.	Type	Push force [N]	Pull force [N]	Lifting speed [mm/s]	Stroke length [mm]	Installation height [mm]	Weight [kg]
QSL32BA130460	RKSlimlift Eclipse	1,000	500	32	460	610	6.0
QSL32BA330460	RKSlimlift Basic	1,000	500	32	460	610	6.0
QSL10BD200285	RKSlimlift Basic	4,000	2,000	8	285	610	7.0

RK Slimlift EM



Mono and synchro

Code No.	Type	Push force [N]	Pull force [N]	Lifting speed [mm/s]	Stroke length [mm]	Installation height [mm]	Weight [kg]
QSL25BA270300	RK Slimlift EM Basic	1,000	1,000	25	300	480	~4.5
QSL25BA170300	RK Slimlift EM Eclipse	1,000	1,000	25	300	480	~4.5
QSL25BA270400	RK Slimlift EM Basic	1,000	1,000	25	400	580	~5.3
QSL25BA170400	RK Slimlift EM Eclipse	1,000	1,000	25	400	580	~5.3
QSL25BA270430	RK Slimlift EM Basic	1,000	1,000	25	430	610	~5.5
QSL25BA170430	RK Slimlift EM Eclipse	1,000	1,000	25	430	610	~5.5
QSL25BA270500	RK Slimlift EM Basic	1,000	1,000	25	500	680	~6.0
QSL25BA170500	RK Slimlift EM Eclipse	1,000	1,000	25	500	680	~6.0

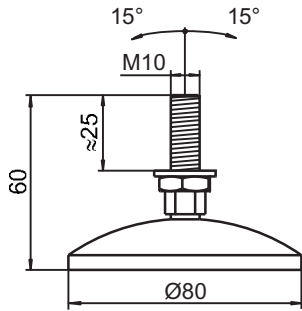
RK Slimlift – Fixing

Levelling foot (for Type EM)

■ The foot can be bolted centrally into the base plate of the RK Slimlift EM.

Material: steel parts galvanised
Pivot plate PA, black

■ Max. screw-in depth 25 mm



Code No.	Type
QZD 120340	Levelling foot

Foot

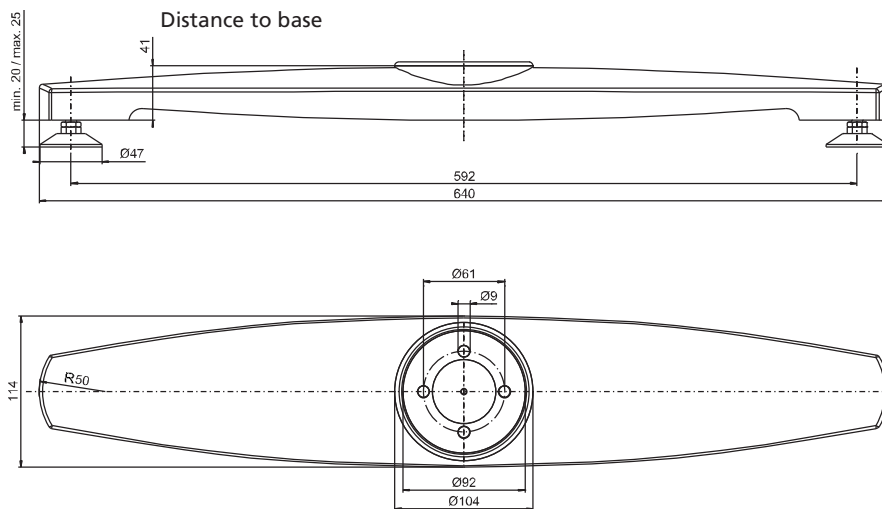


■ Both foot versions can be bolted to the external profile without the need for any further modifications

Material: GK-ALSi12/3.2583.02,
black powder-coating

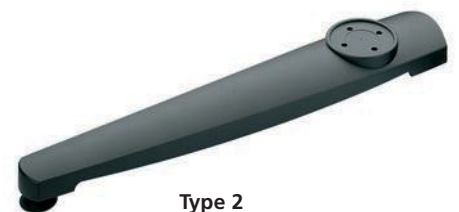
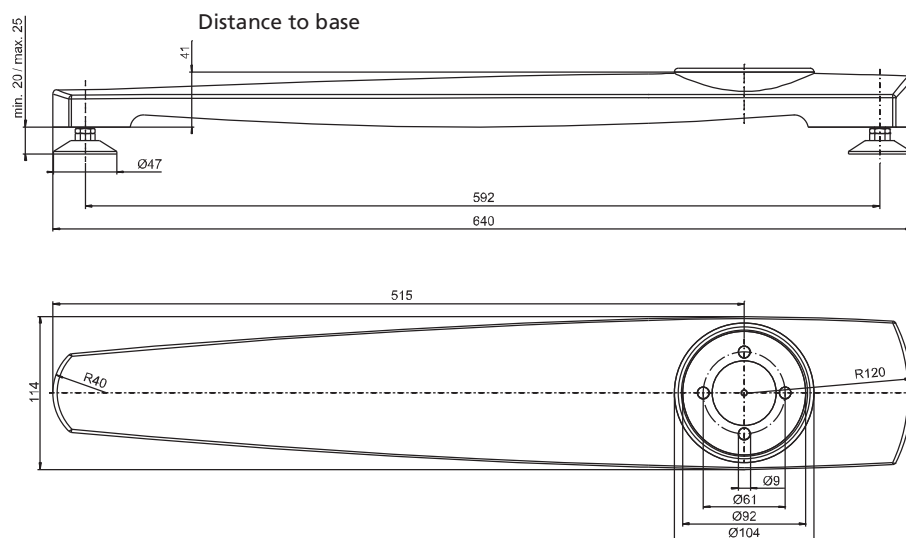
Max. load 1,000 N

Type 1



Type 1

Type 2



Type 2

Code No.	Type
QZD 120341	1
QZD 120342	2



Square nut



■ For connecting accessories to the external profile

Material: galvanised steel

Scope of delivery:
Pack of 20

Code No.	Type
QZD050597	Square nut M6, DIN 562, pack of 20

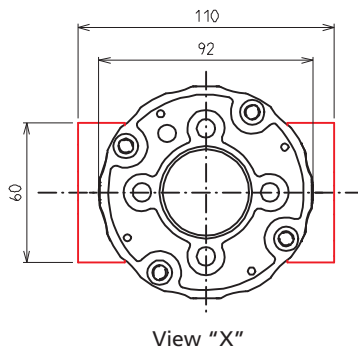
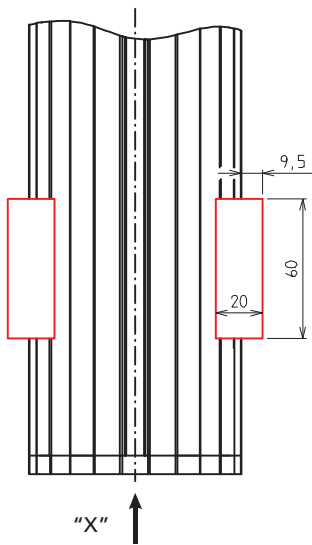
Profile adaptor



■ The profile adaptor allows several lifting columns to be together to form a stable combination. In this way, and with minimum effort, four columns can be connected to form lifting tables and operated via a synchronous control (MultiControl quadro). The aluminium profiles F-60/1, F-60-L, F-G 60, F-2G 60 from the BLOCAN® Profile Assembly System are suitable as struts for this purpose.

Material: AlMgSi, clear anodised
Galvanised fastenings

Scope of delivery: one profile adaptor with fastenings for attachment to one end of the profile

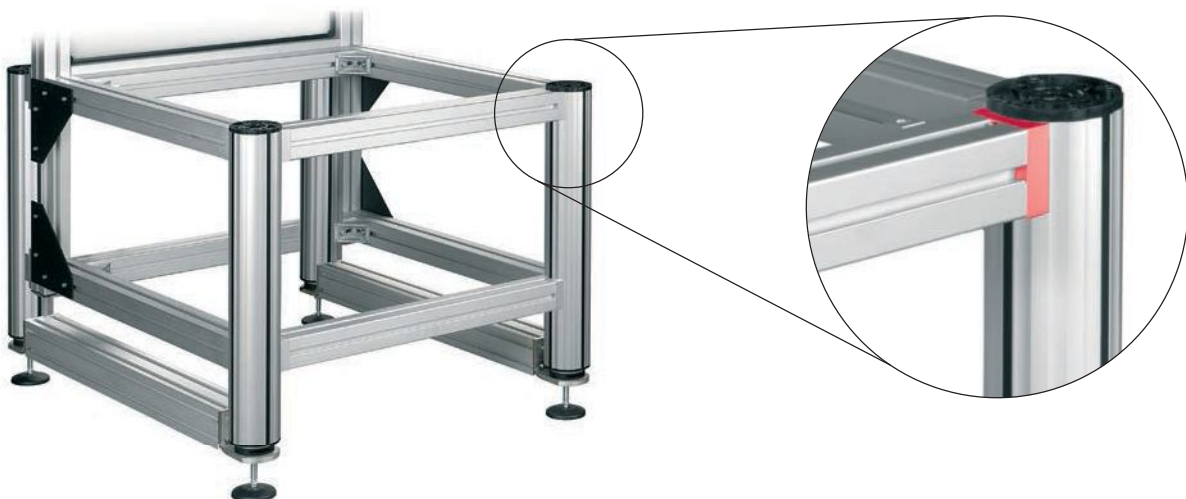


Connection example



Code No.	Type
QZD120256	Complete profile adaptor

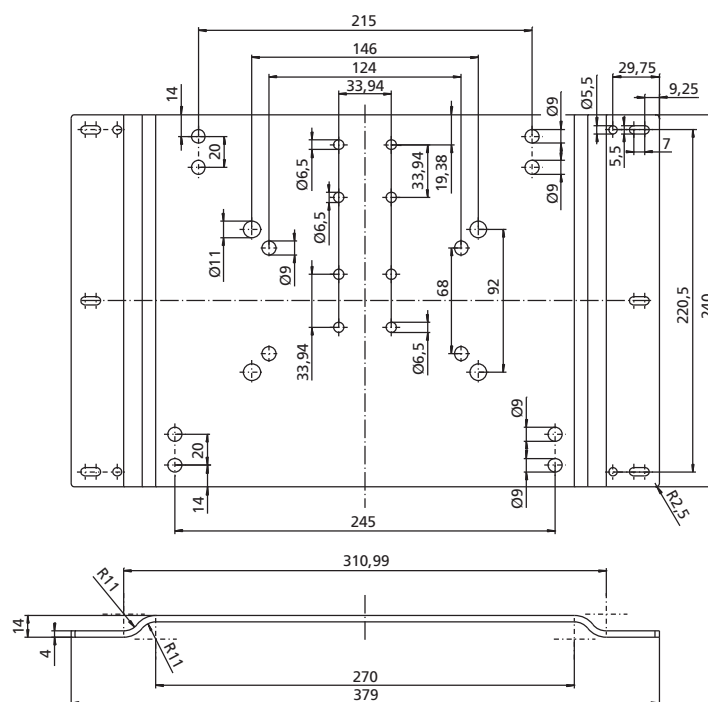
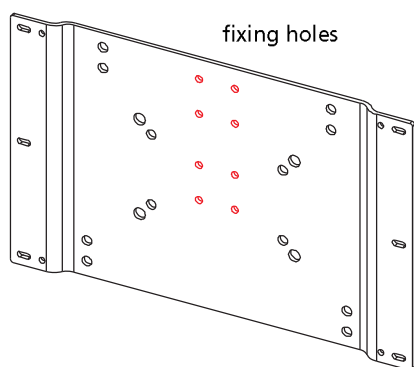
Application example:



Fixing plate (not for EM)

■ This universal plate can be bolted directly into the screw channel of the lifting column using a fixing set. The numerous pre-drilled holes in the metal make it easy to attach table tops, brackets, etc.

Material: steel, black powder-coated (RAL 9005), galvanised fastenings



Code No.	Version
QZD100313	Fixing plate
QZD120336	Fixing set, 4x M6 x 14, DIN 7984



Controls

- Input voltage 230 V AC
- Output voltage 24/36 V DC
- For battery operated controls

Transformer control 120 VA



approx. 24 V DC

MultiControl



approx. 36 V DC

For dimensions and other technical data, please refer to the chapter “Motors and controls”

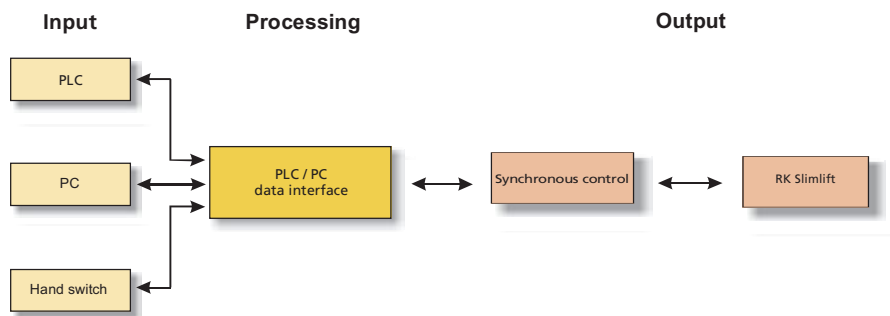
Code No.	Version	
Controls for RK Slimlift mono		
QZA09C13BH031	Transformer control 120 VA connection C, up to 1,000 N total lifting force	Controls up to 1 drive
QSTACCA1AA000	MultiControl mono connection C, up to max. I= 12 A current output, 36 V DC	Controls up to 2 drives
Controls for RK Slimlift synchro		
QST20C02AA000	MultiControl duo connection C, up to max. 2,000 N, 12 A current output at 20% duty cycle	1-2 drives synchronised
QST21C02AA000	MultiControl duo connection C for RK Slimlift EM, up to max. 2,000 N, 12 A current output at 20% duty cycle	1-2 drives synchronised
QST20C04AA000	MultiControl quadro connection C, up to max. 2,000 N, 12 A current output at 20% duty cycle	3-4 drives synchronised
QST21C04AA000	MultiControl quadro connection C for Slimlift EM, up to max. 2,000 N, 12 A current output at 20% duty cycle	3-4 drives synchronised
Accessories		
QZD020083	Fixing plate 120 VA, control is pushed onto the plate	
QZD100093	6 m bus cable for the networking of up to 8 synchronous controls	
QZD0702844000*	Straight connecting cable (4 m) with 5-pin connector and open cable end	
QZD070526	Extension cable 2.5 m drive for connector C/8-pin DIN socket	

*for the connection of a parallel hand switch or an external potentiometer (in the case of the MultiControl mono)

PLC/PC data interface

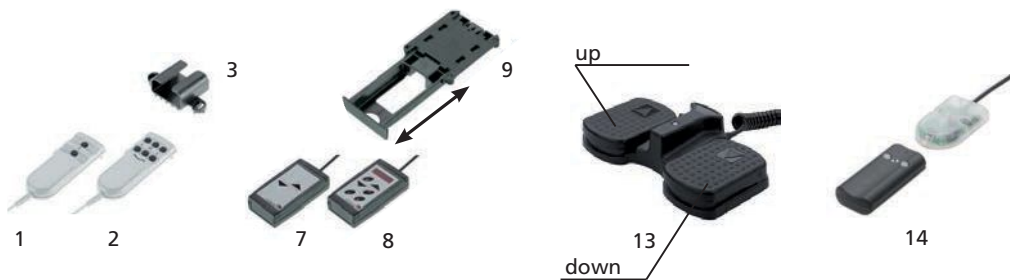
■ This interface enables actuation of the synchronous control system via different input devices (PLC, PC and hand switch)

You will find further product-information on page 182



Code No.	Type
QZD100108	PLC/PC data interface
QZD100110	Fixing plate for mounting in a control cabinet

Hand switches/accessories



Code No.	Version	Fig.
Hand switch for transformer control		
QZB02C03AD031	Hand switch with 1 m spiral cable – 6 function keys	2
Hand switches for transformer or synchronous control		
QZB02C03AB031	Hand switch with 1 m spiral cable – 2 function keys	1
QZB00D04AB041	Hand switch with 1 m spiral cable – 2 function keys	7
QZB02C01AE114	Foot switch – 2 function keys	13
QZB00D07BK141	Wireless hand switch – 2 function keys	14
Hand switch for synchronous control		
QZB00D04AD041	Hand switch with 1 m spiral cable – 6 function keys	8
Accessories for hand switches		
QZD000072	Bracket for hand switch: Fig. 1 + 2	3
QZD000074	Hand switch drawer: Fig. 7 + 8	9

Note:
For further hand switch versions, please refer to the chapter "Controls" on page 146