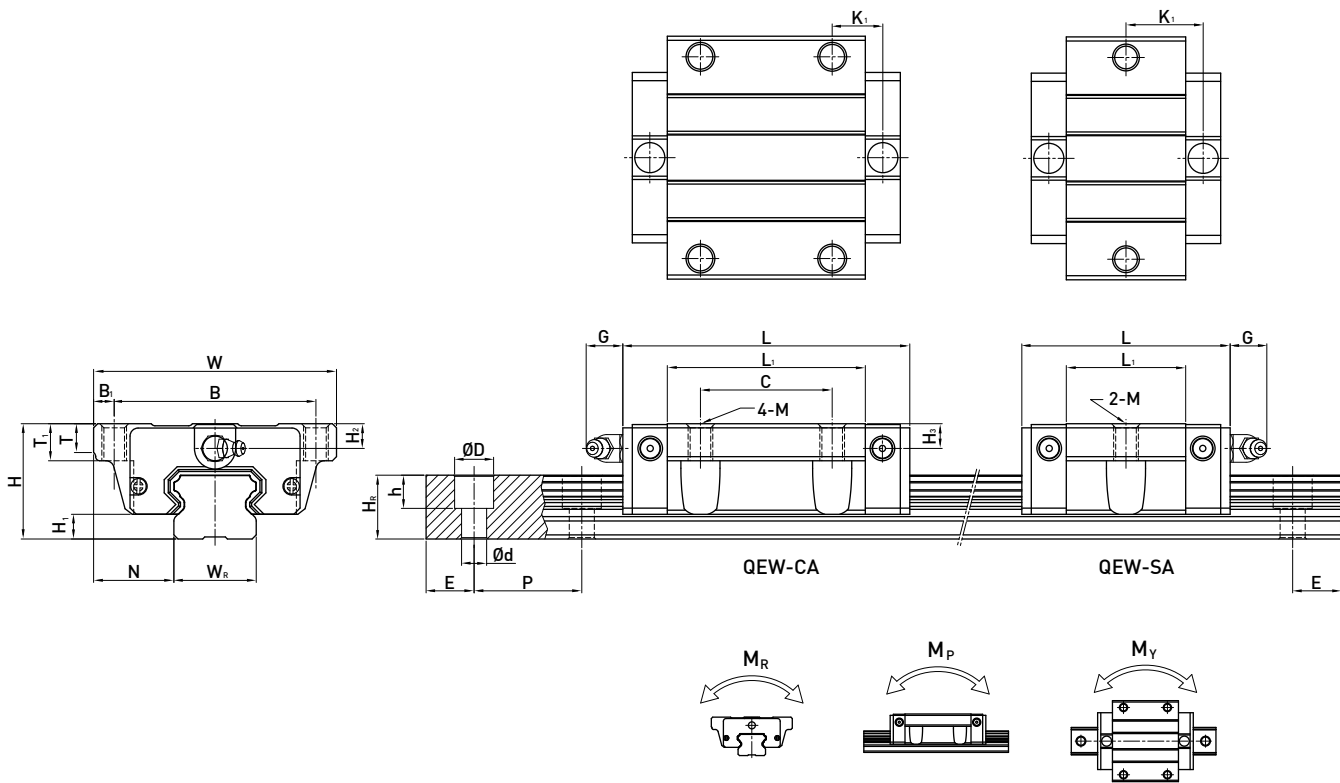


Linear Guideways

QE Series

(2) QEW-CA / QEW-SA



Model No.	Dimensions of Assembly (mm)		Dimensions of Block (mm)													Dimensions of Rail (mm)					Mounting Bolt for Rail (mm)	Basic Dynamic Load Rating C (kN)	Basic Static Load Rating C ₀ (kN)	Static Rated Moment			Weight					
	H	H ₁	N	W	B	B ₁	C	L ₁	L	K ₁	G	M	T	T ₁	H ₂	H ₃	W _R	H _R	D	h				d	P	E	M _R	M _P	M _Y	Block kg	Rail kg/m	
	mm	mm	mm	mm	mm	mm	mm	mm	mm	mm	mm	mm	mm	mm	mm	mm	mm	mm	mm	mm				mm	mm	mm	mm	kN-m	kN-m	kN-m	kg	kg/m
QEW 15SA	24	4	18.5	52	41	5.5	-	23.1	40.1	14.8	5.7	M5	5	7	5.5	6	15	12.5	6	4.5	3.5	60	20	M3×16	8.56	8.79	0.07	0.03	0.03	0.12	1.25	
QEW 15CA							26	39.8	56.8	10.15																12.53	15.28	0.12	0.09	0.09	0.21	
QEW 20SA	28	6	19.5	59	49	5	-	29	50	18.75	12	M6	7	9	6	6.5	20	15.5	9.5	8.5	6	60	20	M5×16	11.57	12.18	0.13	0.05	0.05	0.19	2.08	
QEW 20CA							32	48.1	69.1	12.3																16.50	20.21	0.21	0.15	0.15	0.31	
QEW 25SA	33	6.2	25	73	60	6.5	-	35.5	60.1	21.9	12	M8	7.5	10	8	8	23	18	11	9	7	60	20	M6×20	18.24	18.90	0.22	0.10	0.10	0.34	2.67	
QEW 25CA							35	59	83.6	16.15																26.03	31.49	0.37	0.29	0.29	0.58	
QEW 30SA	42	10	31	90	72	9	-	41.5	67.5	25.75	12	M10	7	10	8	9	28	23	11	9	7	80	20	M6×25	26.27	27.82	0.40	0.18	0.18	0.61	4.35	
QEW 30CA							40	70.1	96.1	20.05																37.92	46.63	0.67	0.51	0.51	1.03	
QEW 35SA	48	11	33	100	82	9	-	51	76	30.3	12	M10	10	13	8.5	8.5	34	27.5	14	12	9	80	20	M8×25	36.39	36.43	0.61	0.33	0.33	0.77	6.14	
QEW 35CA							50	83	108	21.3																51.18	59.28	1.00	0.75	0.75	1.19	

Note : 1 kgf = 9.81 N