

Linear Actuator

Over Current Protection Box

31. HIWIN Over Current Protection Box

LAKC1-1

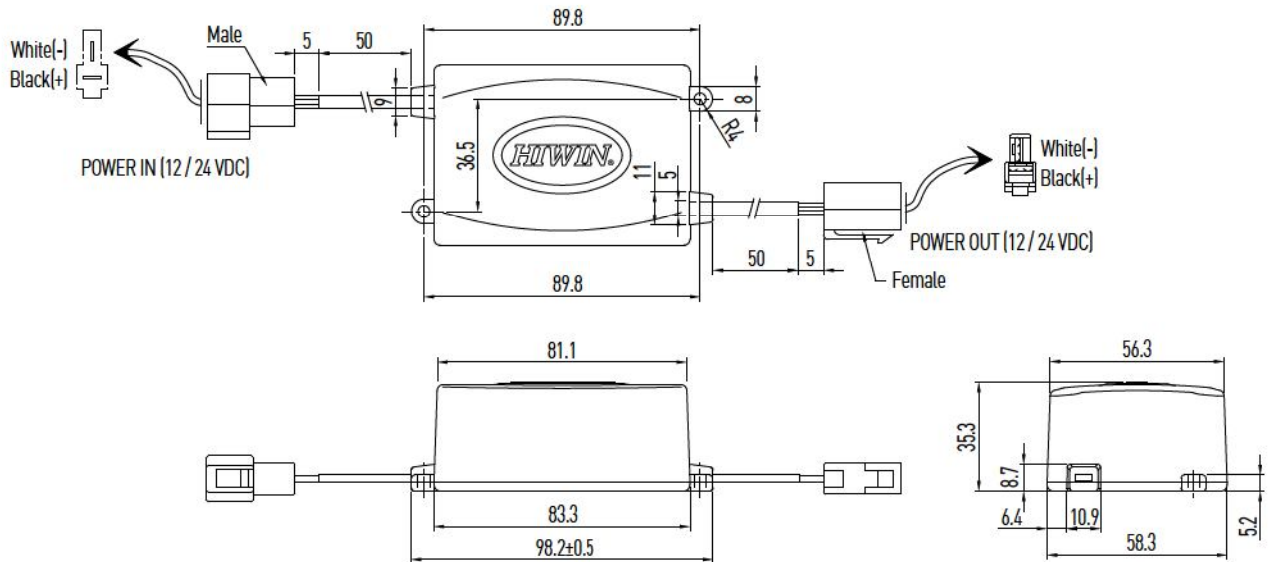


Table 31.1 Specifications

Input voltage	12/24VDC
Output power	12/24VDC
Duty cycle	10%
Protection	IP54
Working temp.	+5°C~40°C

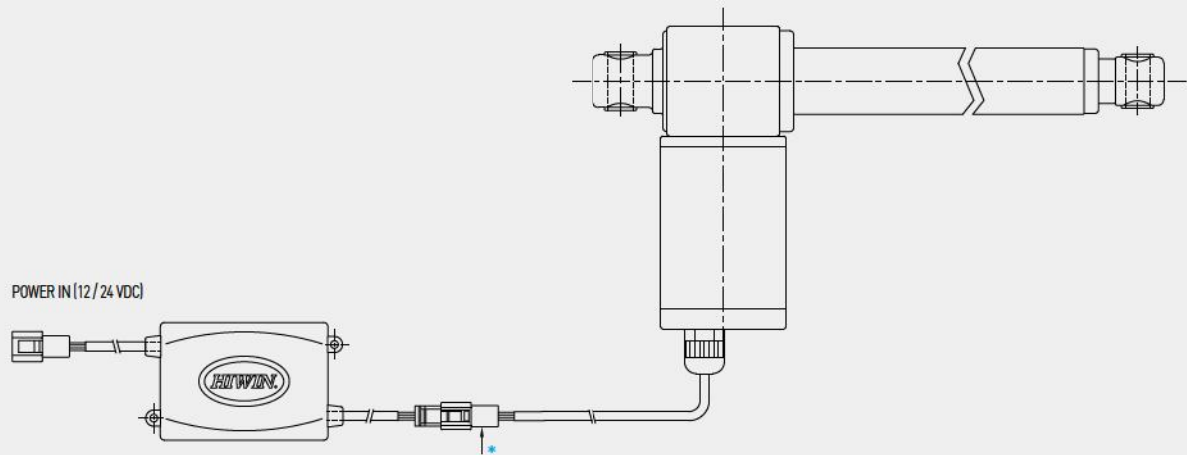
Option:

(1) IP66

Features of LAKC1-1

- Compact size
- Low cost
- Easy to use
- Multiple over- current settings available
- Fast response time

For Series



* When purchasing an actuator to be connected with the LAKC1, please inform the Hiwin sales representative.

Ordering Information

LAKC1 - 1 - 12 - 6 G E					
Model number	Input (Output) Voltage	Over Current Setting		Color	Special models according to Client's requirement
	12: 12VDC	12V:	24V:	B : Black	None
	24: 24VDC	2: 2A	2: 2A	G: Gray	E=Ignore this part of the serial number if not available
		3: 3A	2.5: 2.5A		
		4: 4A	3: 3A		
		5: 5A	4: 4A		
		6: 6A	5: 5A		
		8: 8A	6: 6A		
		10: 10A	7: 7A		
		12: 12A	8: 8A		
		18: 18A	9: 9A		
			10: 10A		