

# 5. *HIWIN* LAM Series (1)

**LAM**

**CE**

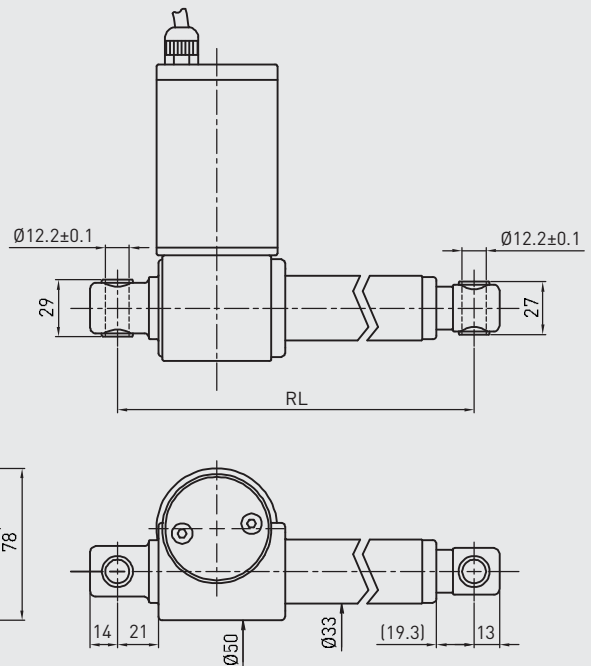
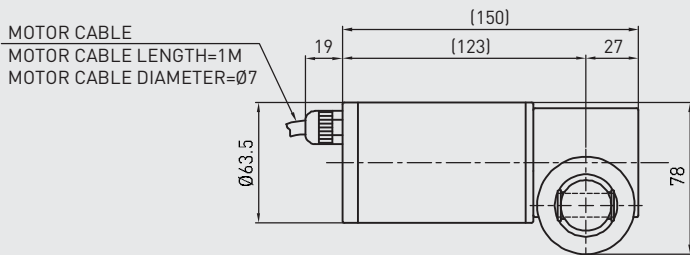


Screw type	Ball screw/ACME
Weight*	2.31kg
Protection	IP54
Compatible controller	LAK2/LAK2LR/LAK2D/LAK2BN LAK2J/LAK4N/LAK6B
Working temp.	+5°C~40°C

\* Stroke length 100mm

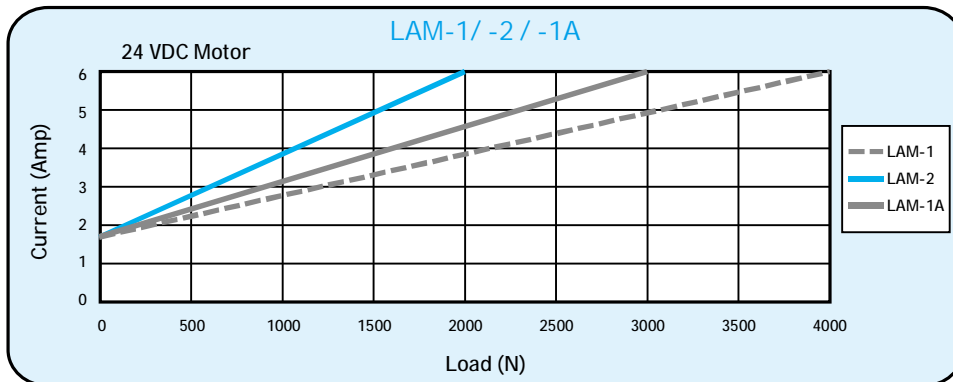
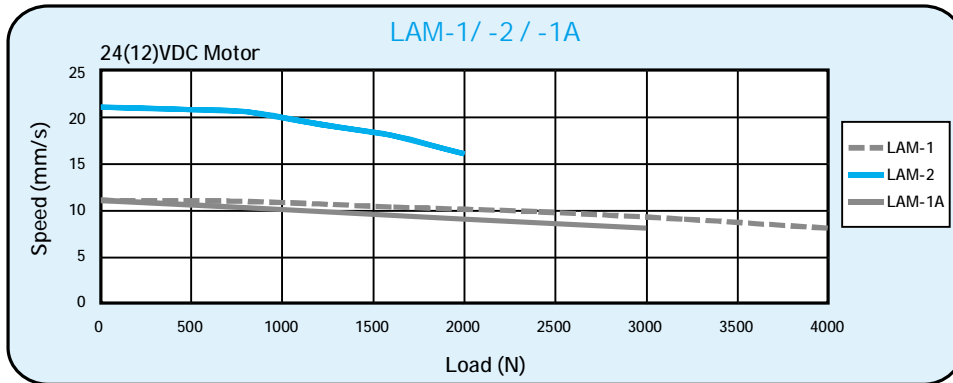
- \* Option: (1) IP65  
 (2) Gear box material: Steel (Standard: Zn(85%)-AL(15%))  
 (3) Gear box housing turned 90°  
 (4) 36VDC motor

- LAM-1/-2  
 RL=S+153  
 Stroke ≤ 400  
 RL=S+203  
 Stroke > 400  
 RL: Retracted length  
 S: Stroke length
- LAM-1A  
 RL=S+162  
 Stroke ≤ 400  
 RL=S+212  
 Stroke > 400

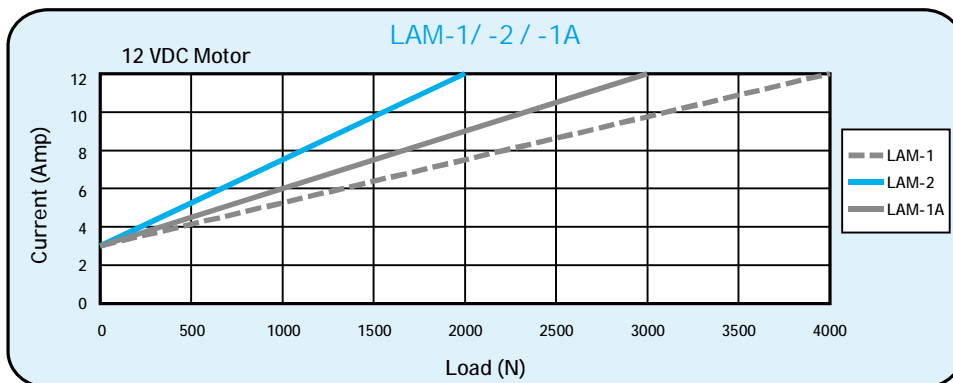


## • LAM Specifications

Model	Screw type	Thrust max. (N)	Pulling max. (N)	Holding max. (N)	Speed (mm/s)		Standard stroke (mm) : S							Duty cycle %	Current max. (A)	
					Load=Max./Load=0	Load=0/Load=Max.	100	150	200	250	300	350	400		12VDC	24VDC
LAM-1	Ballscrew	4000	3000	4000	8	11	100	150	200	250	300	350	400	10	12	6
LAM-2	Ballscrew	2000	2000	1200	16	21	100	150	200	250	300	350	400	10	12	6
LAM-1A	ACME	3000	3000	3000	8	11	100	150	200	250	300	350	400	10	12	6



\*\*Note: The test results are obtained by using the 24VDC power supply.



\*\*Note: The test results are obtained by using the 12VDC power supply.

## • Ordering Information

