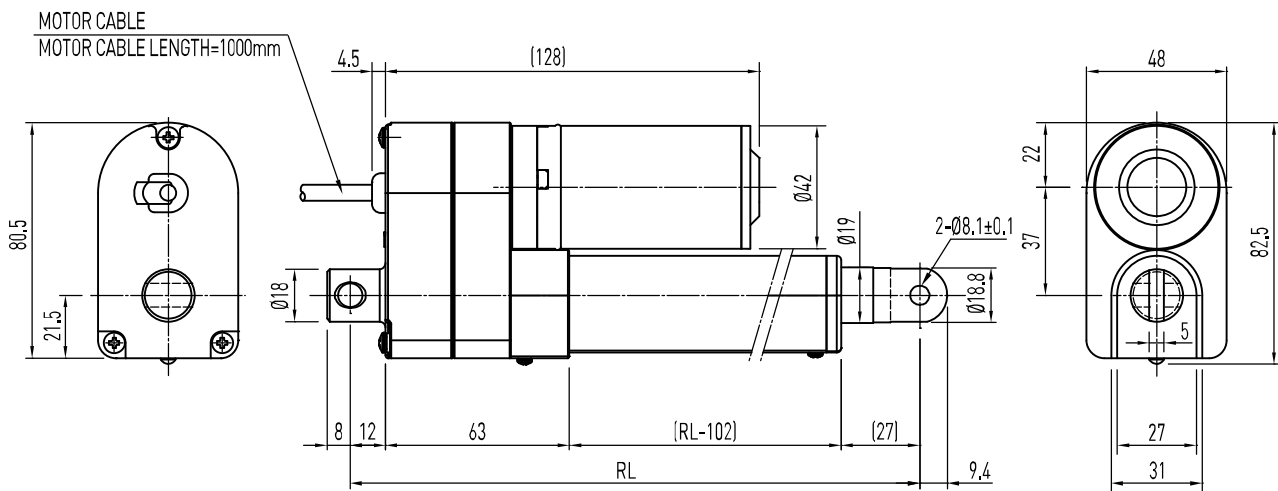


Linear Actuator

LAS Series

11. HIWIN LAS Series (2)

LAS2



- RL = S+146
Stroke ≤ 250
- RL = S+196
Stroke > 250
- RL: Retracted length
- S: Stroke length

Table 11.1 Specifications

| | |
|-----------------------|--|
| Screw type | ACME |
| Weight* | 1.3kg |
| Protection | IP54 |
| Compatible controller | Compatible with all controllers (*Notice the type of connector: Audio/DIN 4pin) |
| Working temp. | +5°C~40°C |

* Stroke length 200mm

Option:

- (1) IP65
- (2) Position feedback
 - 1: Potentiometer 10k ohm [RL = S+154, S ≤ 250 / RL = S+204, S > 250]
 - 2: Optical sensor: PNP [standard], NPN, TTL

Table 11.2 Position feedback specifications (Optical Sensor)

| Supply voltage | 24VDC | 12VDC | 5VDC |
|----------------|--|--|------|
| Output | High level 24VDC Low level 0.2V/40mA PNP* PS. Open collector | High level 12VDC Low level 0.2V/40mA PNP* PS. Open collector | TTL |

* Low noise

- (3) 36VDC motor
- (4) Back fixture turned 90°
- (5) Rod end with flat connector [RL = S+133, S ≤ 250 / RL = S+183, S > 250]
- (6) Plug: DIN 4PIN plug / Stereo plug / Mono plug

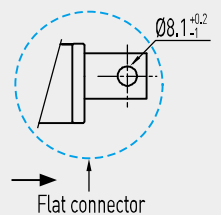
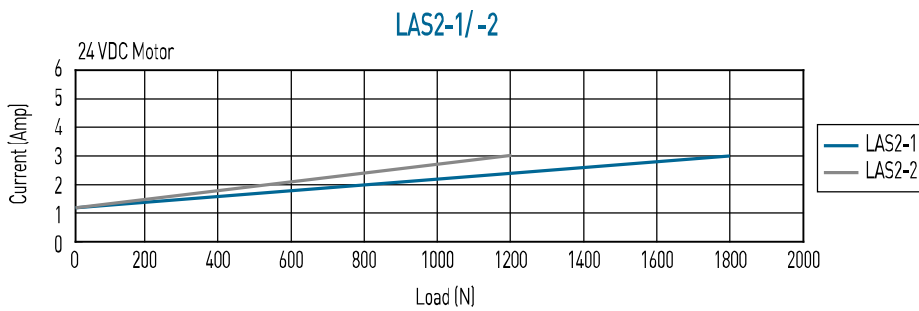
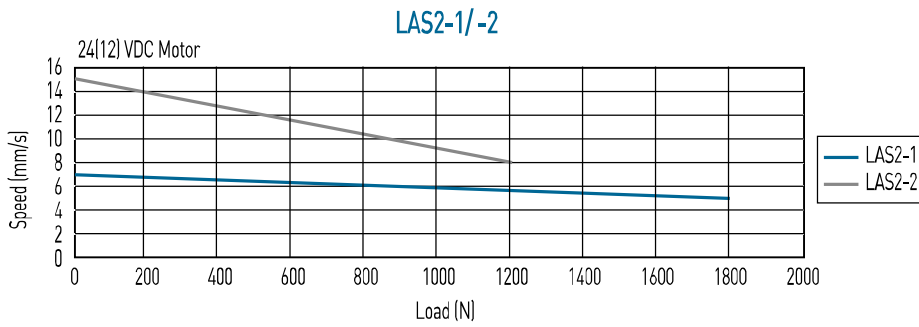


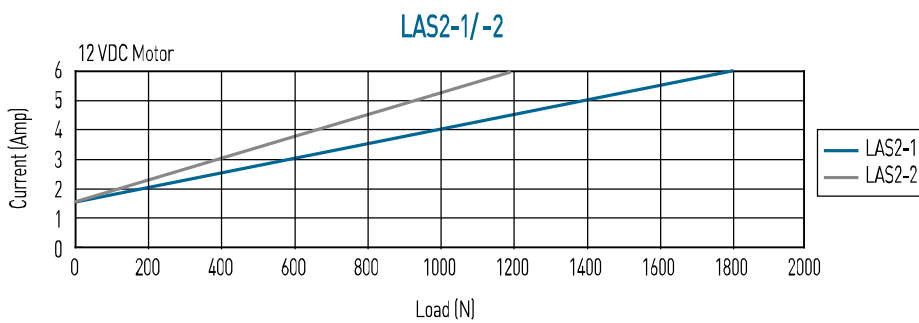
Table 11.3 **LAS2 Specifications**

| Model | Thrust max. (N) | Pulling max. (N) | Holding max. (N) | Speed (mm/s) Load = Max. / Load = 0 | Standard stroke (mm) : S | | | | | Duty cycle % | Current max. (A) | | Optical Sensor Resolution (mm/pulse) | Potentiometer Resolution (Ohm/mm) |
|--------|-----------------|------------------|------------------|--|--------------------------|-----|-----|-----|-----|--------------|------------------|-------|--------------------------------------|-----------------------------------|
| | | | | | 50 | 100 | 150 | 200 | 250 | | 12VDC | 24VDC | | |
| LAS2-1 | 1800 | 1200 | 1800 | 4.5 / 7 | 50 | 100 | 150 | 200 | 250 | 10 | 6 | 3 | 0,3175 | 21 |
| LAS2-2 | 1200 | 1200 | 1000 | 8 / 15 | 50 | 100 | 150 | 200 | 250 | 10 | 6 | 3 | 0,635 | 10,5 |

*Min. input power = Voltage x Current max.



**Note: The test results are obtained by using the 24VDC power supply.



**Note: The test results are obtained by using the 12VDC power supply.

Ordering Information

| LAS2 - 1 - 1 - 200 - 24 G E | | | | | |
|-----------------------------|--|---------------|---------|--------------------------------|---|
| Model number | 0 : Without internal limit switches 1 : Basic model complete with internal limit switches | Stroke length | Voltage | Color B : Black G : Gray | Special models according to the customer's requirement (Ignore this part of the serial number if not available) |