

7.

HIWIN LAS Series (2)

LAS3



Screw type	ACME	Position feedback specifications (Optical Sensor)			
Weight*	1.27kg	Supply voltage	24VDC	12VDC	5VDC
Protection	IP54	Output	High level 24VDC Low level 0.2V/40mA PNP* PS. Open collector	High level 12VDC Low level 0.2V/40mA PNP* PS. Open collector	TTL
Compatible controller	Compatible with all controllers [*Notice the type of connector: Audio/DIN 4pin]				
Working temp.	+5°C~40°C				

* Stroke length 200mm

* Option: (1) IP65

(2) Position feedback

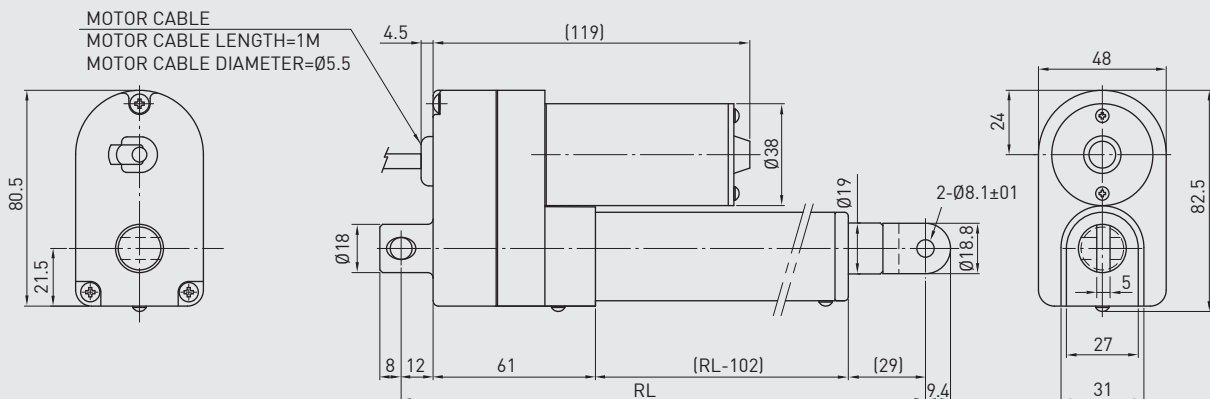
1: Potentiometer 10k ohm (RL=S+154)

2: Optical sensor: PNP (standard), NPN, TTL

(3) 36VDC motor

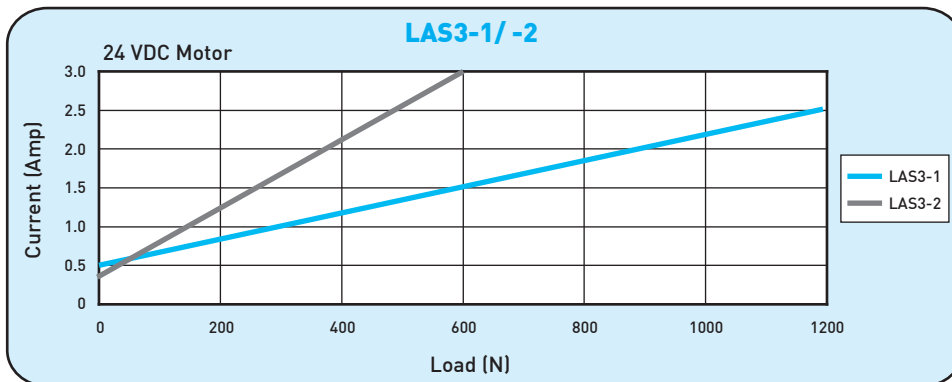
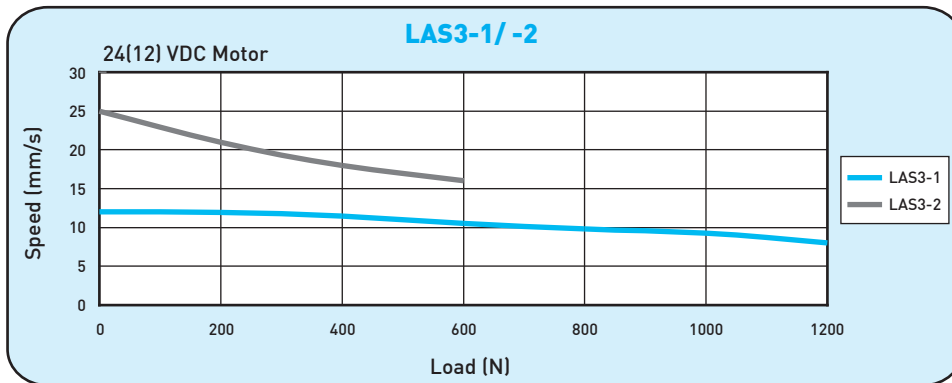
(4) Back fixture turned 90°

- RL=146
Stroke ≤ 250
- RL=196
Stroke > 250
- RL: Retracted length
- S: Stroke length

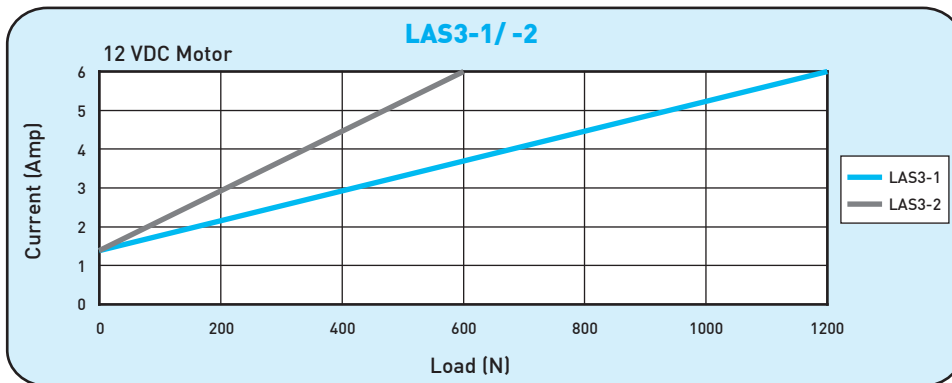


• LAS3 Specifications

Model	Thrust max. (N)	Pulling max. (N)	Holding max. (N)	Speed (mm/s)		Standard stroke (mm) : S				Duty cycle %	Current max. (A)		Optical Sensor Resolution (mm/pulse)	Potentiometer Resolution (Ohm/mm)	
				Load=Max./Load=0		50	100	150	200		250	12VDC			24VDC
LAS3-1	1200	1200	800	8	12	50	100	150	200	250	10	6	2.5	0.3175	21
LAS3-2	600	600	300	16	25	50	100	150	200	250	10	6	3	0.635	10.5



**Note: The test results are obtained by using the 24VDC power supply.



**Note: The test results are obtained by using the 12VDC power supply.

• Ordering Information

