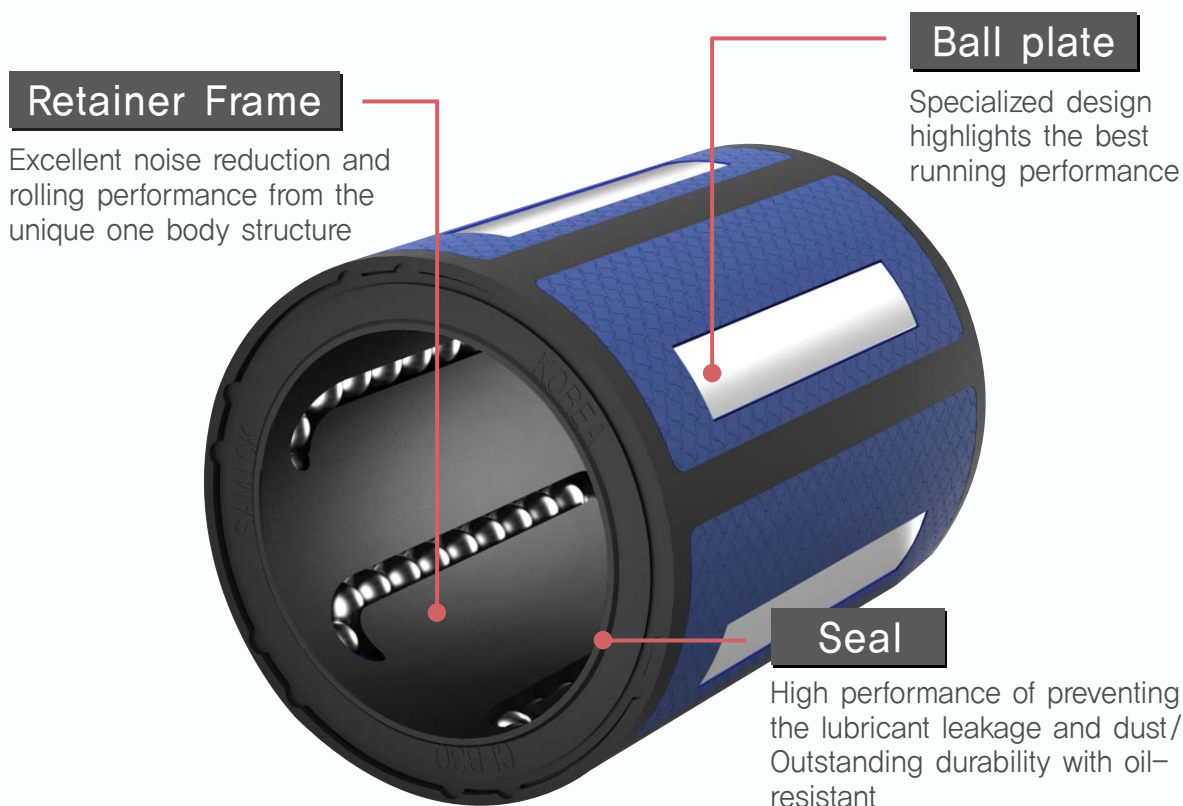


Compact Linear Bushing

CLB series

Cost-Effective Linear Bearing



Advantage

- Low cost Linear Bushing for most applications
- Small overall dimensions for especially compact construction
- Easy assembly: Just press in-no additional retention necessary
- Linear Bushing sets with aluminum or corrosion-resistant steel housing

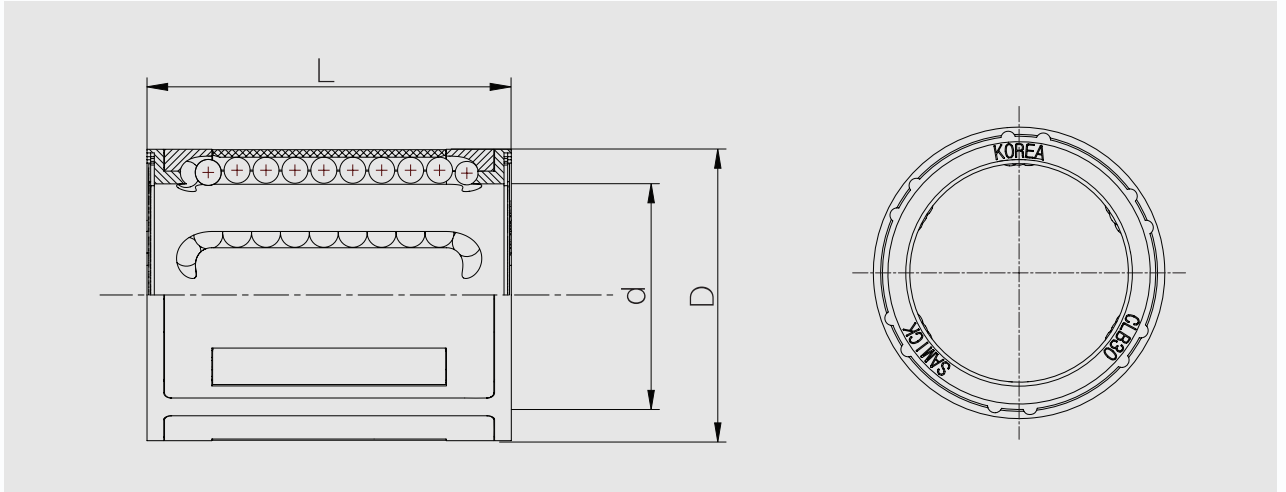




The compact Linear Bushing with its durable plastic housing is distinguished by its compact dimensions.

SAMICK CLB series is a cost-effective, ready-to-install Linear Bushing.

Dimensions



Shaft Diameter d(mm)	Part Number		No. of Ball Circuit	Dimension		Basic Load Rating(N) ²⁾	
	Without Seal	With Seal		D ¹⁾ (mm)	L(mm) ±0.2	Dynamic (C)	Static (C ₀)
12	CLB12	CLB12UU	4	19	28	590	420
14	CLB14	CLB14UU	5	21	28	680	480
16	CLB16	CLB16UU	5	24	30	925	625
20	CLB20	CLB20UU	6	28	30	1170	800
25	CLB25	CLB25UU	6	35	40	2240	1500
30	CLB30	CLB30UU	6	40	50	3000	2240
40	CLB40	CLB40UU	7	52	60	5200	4050
50	CLB50	CLB50UU	8	62	70	6220	5880

1) Based on nominal Housing bore

2) 1N \approx 0.102kgf

Available at



SAMICK PRECISION IND.CO.,LTD.
<http://www.mysamick.com>
marketing@mysamick.com