

> DMS

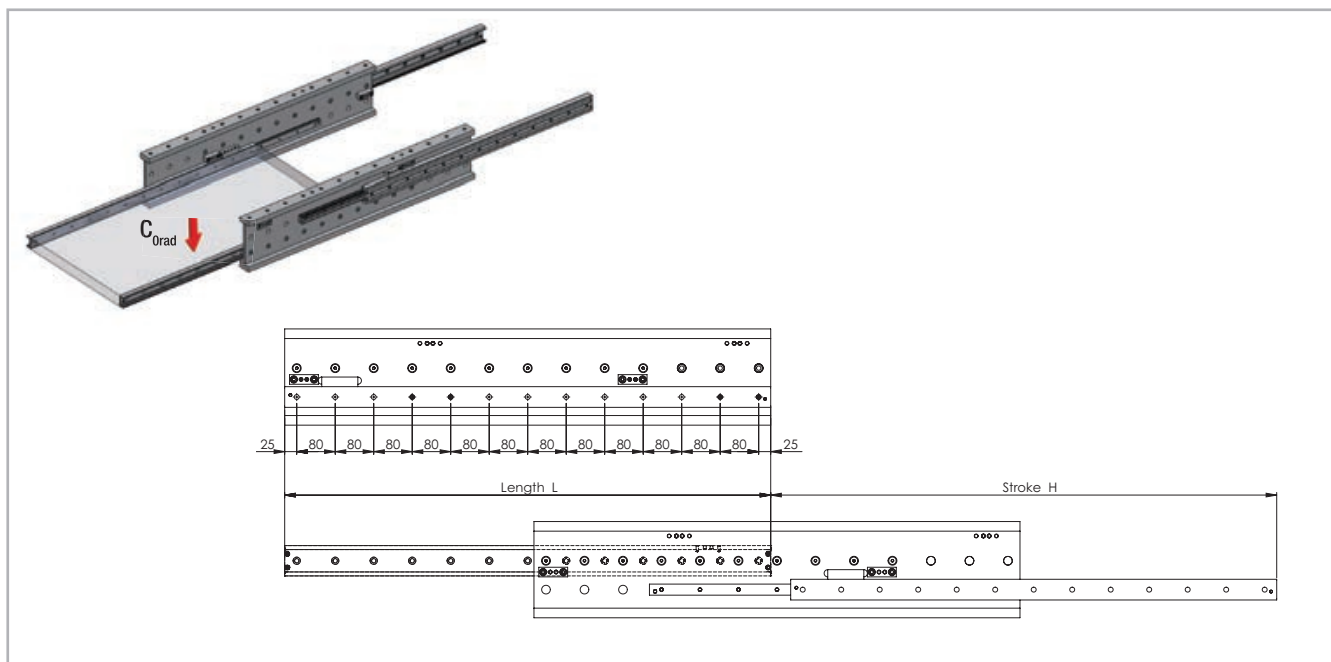


Fig. 59

Type	Size	Length L [mm]	Stroke H [mm]	Load capacity for a pair of rails $C_{Orad}$ [N]	Fixed element Accessible holes / total	Movable element Accessible holes / total
DMS	63	1010	1051	16104	10 / 13	10 / 13
		1090	1141	17496	10 / 14	11 / 14
		1170	1216	19168	11 / 15	11 / 15
		1250	1291	20848	12 / 16	13 / 16
		1330	1381	22238	13 / 17	13 / 17
		1410	1456	23920	13 / 18	14 / 18
		1490	1531	25608	14 / 19	14 / 19
		1570	1621	26996	14 / 20	15 / 20
		1650	1696	28686	16 / 21	16 / 21
		1730	1771	30380	16 / 22	17 / 22
		1810	1861	31766	17 / 23	17 / 23
		1890	1936	33460	18 / 24	19 / 24
		1970	2026	34846	19 / 25	19 / 25
		2050	2101	36542	19 / 26	20 / 26
		2130	2176	38240	20 / 27	20 / 27
2210	2266	39624	21 / 28	22 / 28		

Tab. 47

> DMS

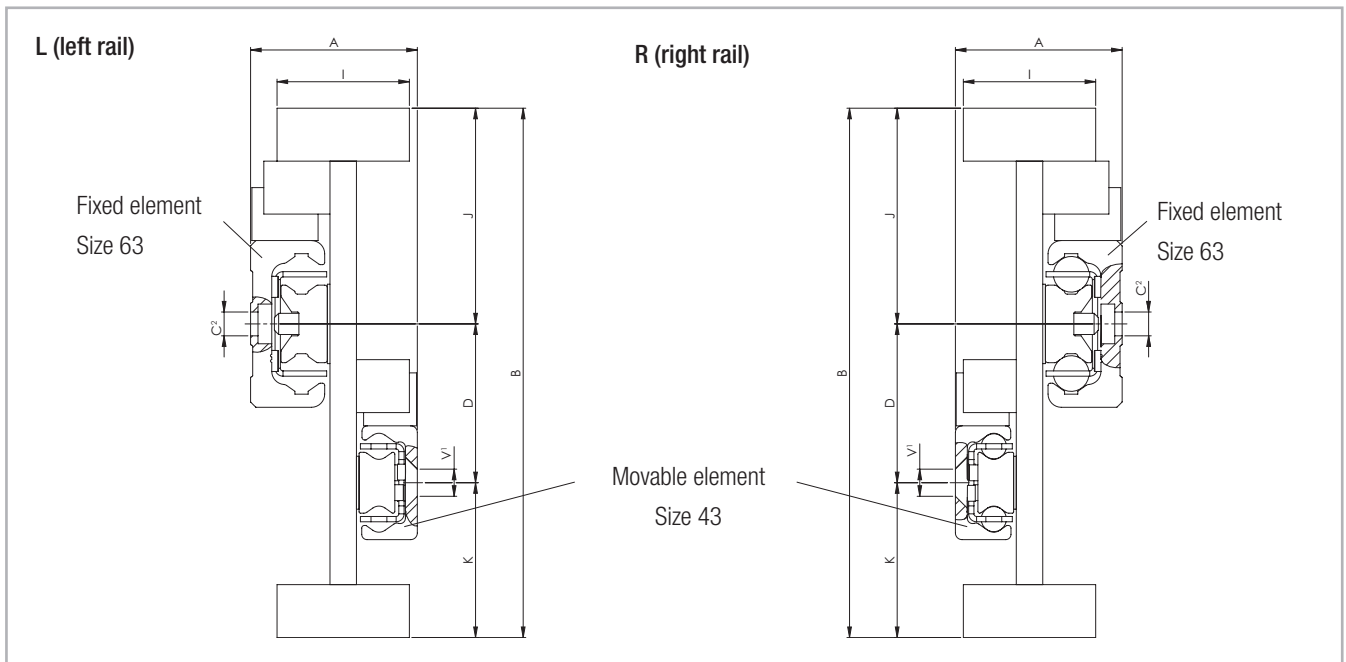


Fig. 60

<sup>1</sup> Fixing holes (V) for countersunk head screws according to DIN 7991

<sup>2</sup> Fixing holes (C) for socket cap screws according to DIN 7984. Alternative fixing with Torx® screws in special design with low head (on request)  
Please observe right or left installation for version DMS.

Type	Size	Cross-section								Weight per single guide [kg/m]
		A [mm]	B [mm]	I [mm]	K [mm]	D [mm]	J [mm]	C	V	
DMS	63	63	200	50	58.5	60	81.5	M8	M8	43

Tab. 48